

**BOXER 42XL  
VACUUM SEALER**



**FEATURES**

- Seal bar length: 16.5"
- Easily removable seal bar with two wires
- Pump capacity: 889 cf/h (25 m<sup>3</sup>/h) Busch vacuum pump
- Machine cycle: 20-40 sec
- Standard with Combivac control, a sensor and a 20 program memory
- Compatible with label printer
- Standard with Gas flush
- Soft Air to protect product and bag
- Transparent lid, opens automatically after every cycle
- Deep drawn vacuum chamber
- Comes with insert plates for a faster cycle and product adjustment
- Stainless steel exterior
- 6ft cord with Nema 5-15P plug
- Standard with service kit
- Pump maintenance and cleaning program

**DESCRIPTION**

The robust, stainless steel Boxer 42XL vacuum packer is standard equipped with a Busch vacuum pump. The machine is ETL listed and complies with UL, CSA and CE standards.

**OPTIONS AND ACCESSORIES**

- Cut-off or Wide seal
- 2nd seal bar (back)
- Inclined insert plate
- External adapter
- Cart with castors and shelf



**WARRANTY**

Storabis offers a warranty of 1 year on labor and 3 years on parts. For full warranty details, please refer to [www.storabis.org](http://www.storabis.org).

**DATE**

**APPROVAL**

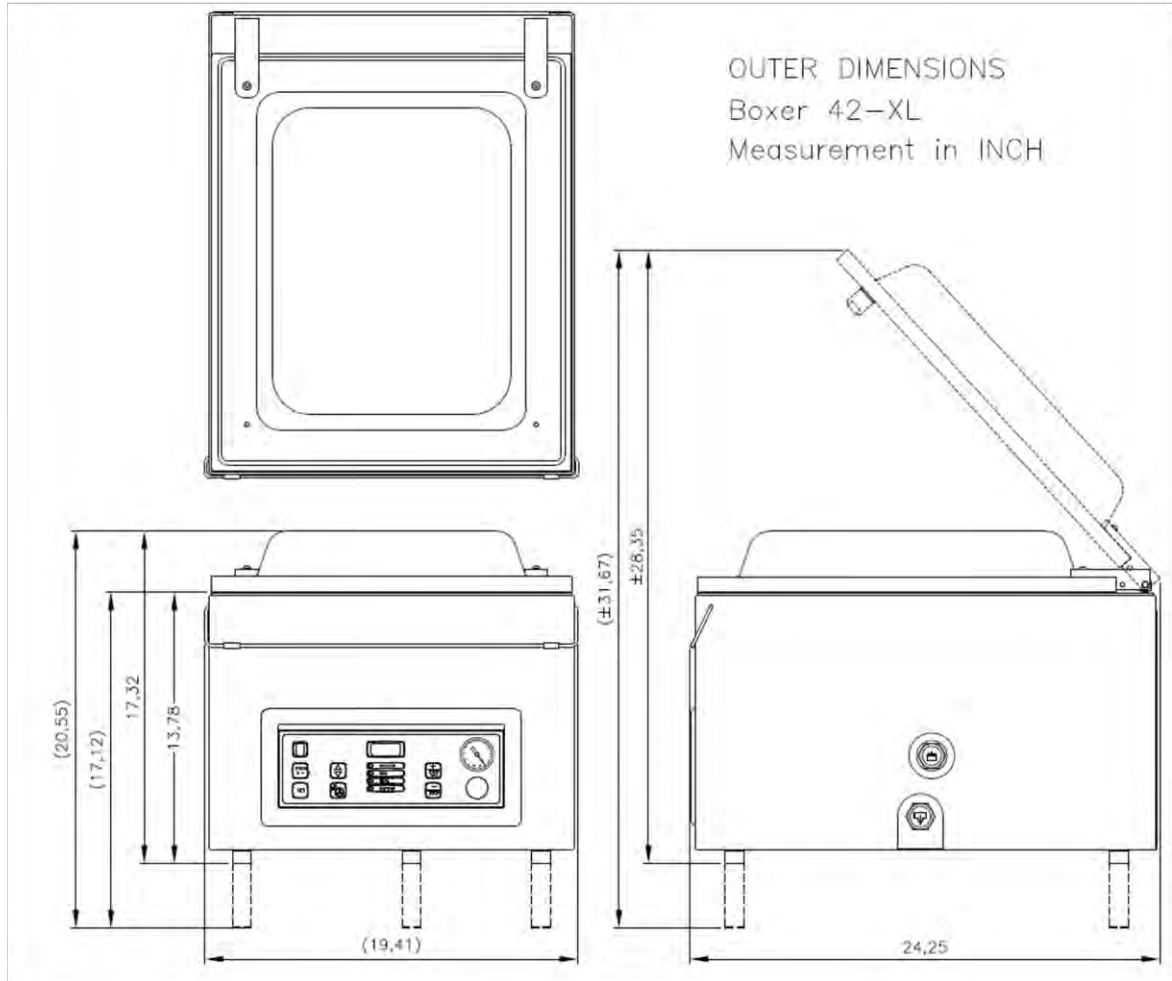


**HIGH NITRO LLC** | 2231 W Nash St., Suite E, Wilson, NC 27896  
+1 252 206 7901 | E [INFO@HIGHNITRO.COM](mailto:INFO@HIGHNITRO.COM)

# VACUUM SEALER BOXER 42XL – SPECS

## DIMENSIONS

In inches



Model	Dimensions (inches)		Volts	Amps	Hz	Pump capacity	HP	Plug	Weight (lbs)
	Chamber (usable space) LxWxH	Machine LxWxH							
Boxer 42XL	18"x16.5"x7"	24.2"x19.4"x17.3"	110-120V	13	60Hz	889 cf/h (25 m <sup>3</sup> /h)	1.34	NEMA 5-15P	159

NEMA 5-15P



15 A/125 V



**HIGH NITRO LLC** | 2231 W Nash St., Suite E, Wilson, NC 27896  
+1 252 206 7901 | E [INFO@HIGHNITRO.COM](mailto:INFO@HIGHNITRO.COM)